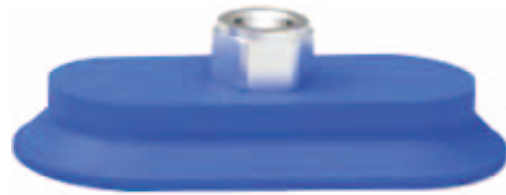




BWBF系列

扁平吸盘



产品特点

- * 用于快速搬运金属薄板(循环周期短)。
- * 用于搬运细长金属件,如内饰的金属薄板或加强筋等。
- * 吸盘底部有特殊凹槽结构,可防止油性金属板在搬运过程中滑动,确保工件在压机里精确定位。
- * 坚固耐磨的椭圆型吸盘,采用NBR材质,单密封唇,有特殊的凹槽设计和内部支撑结构。
- * 吸盘有多种连接形式可供选择,可提供两种材质硬度:肖氏硬度45和60。

型号规格

BWBF - 50x16 - N45 - G1/4-AG

① ② ③ ④

①产品系列	②吸盘直径	③吸盘硬度	④连接螺纹
BWBF - 扁平吸盘	50x16	N45 - 丁腈橡胶45	G1/4-AG - G1/4外螺纹
	60x23	N60 - 丁腈橡胶60	G1/4-IG - G1/4内螺纹
	90x30		G3/8-IG - G3/8内螺纹
	80x40		M10x1.5-AG - M10外螺纹
	100x50		M14x1.5-AG - M14外螺纹
	120x60		RA - 矩形适配器

性能参数

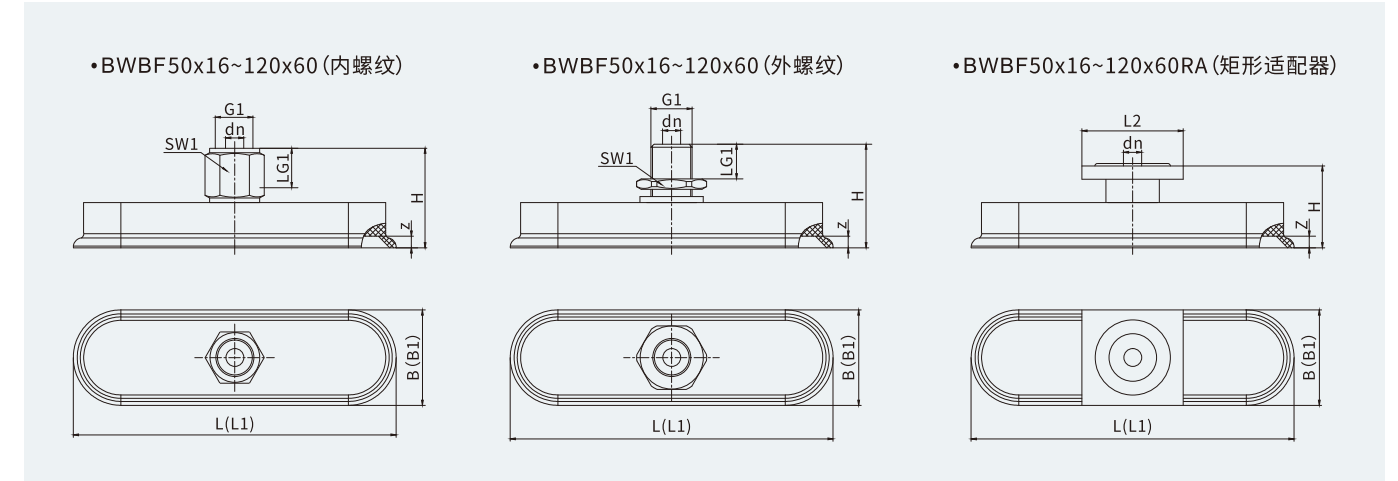
型号	吸力(N)	侧向力(N)	油性表面侧向力(N)	内部体积(cm ³)	工件最小曲率半径(mm)	推荐软管直径(mm)
BWBF50x16	31	24	12	2.0	8	4
BWBF60x23	57	37	33	3.0	20	4
BWBF90x30	122	96	64	7.0	40	4
BWBF80x40	140	110	100	10.7	50	4
BWBF100x50	217	181	121	20.0	75	6
BWBF120x60	312	254	170	35.0	75	6



BWBF系列

扁平吸盘

规格尺寸(mm)



型号	尺寸mm	B	B1	dn	G1	H	L	L1	L2	LG1	SW1	Z
BWBF50x16G1/4-AG		16	18	5	G1/4M	26	50	51.5	-	8	17	3
BWBF50x16G1/4-IG		16	18	6	G1/4F	33	50	51.5	-	8	17	3
BWBF50x16G3/8-IG		16	18	6	G3/8F	34	50	51.5	-	9	22	3
BWBF50x16M10x1.5-AG		16	18	4	M10x1.5M	26	50	51.5	-	10	16	3
BWBF50x16M14x1.5-AG		16	18	5	M14x1.5M	28	50	51.5	-	10	22	3
BWBF50x16RA		16	18	4	-	29	50	51.5	32	-	-	3
BWBF60x23G1/4-AG		23	25	5	G1/4M	18	62	64	-	8	17	3
BWBF60x23G1/4-IG		23	25	6	G1/4F	26	62	64	-	8	17	3
BWBF60x23G3/8-IG		23	25	6	G3/8F	26	62	64	-	9	22	3
BWBF60x23M10x1.5-AG		23	25	4	M10x1.5M	18	62	64	-	10	16	3
BWBF60x23M14x1.5-AG		23	25	5	M14x1.5M	20	62	64	-	10	22	3
BWBF60x23RA		23	25	4	-	21	62	64	32	-	-	3
BWBF90x30G1/4-AG		32	34	5	G1/4M	19	92	94	-	8	17	3
BWBF90x30G1/4-IG		32	34	6	G1/4F	26	92	94	-	8	17	3
BWBF90x30G3/8-IG		32	34	6	G3/8F	27	92	94	-	9	22	3
BWBF90x30M10x1.5-AG		32	34	4	M10x1.5M	19	92	94	-	10	16	3
BWBF90x30M14x1.5-AG		32	34	5	M14x1.5M	21	92	94	-	10	22	3
BWBF90x30RA		32	34	4	-	22	92	94	32	-	-	3
BWBF80x40G1/4-AG		40	43	5	G1/4M	20	82	85	-	8	17	4
BWBF80x40G1/4-IG		40	43	6	G1/4F	28	82	85	-	8	17	4
BWBF80x40G3/8-IG		40	43	6	G3/8F	28	82	85	-	9	22	4
BWBF80x40M10x1.5-AG		40	43	4	M10x1.5M	20	82	85	-	10	16	4
BWBF80x40M14x1.5-AG		40	43	5	M14x1.5M	22	82	85	-	10	22	4
BWBF80x40RA		40	43	4	-	23	82	85	32	-	-	4
BWBF100x50G1/4-AG		50	54	6	G1/4M	22	102	106	-	8	17	5
BWBF100x50G1/4-IG		50	54	8	G1/4F	30	102	106	-	8	17	5
BWBF100x50G3/8-IG		50	54	8	G3/8F	31	102	106	-	9	22	5
BWBF100x50M10x1.5-AG		50	54	4	M10x1.5M	22	102	106	-	10	16	5
BWBF100x50M14x1.5-AG		50	54	6	M14x1.5M	24	102	106	-	10	22	5
BWBF100x50RA		50	54	6	-	25	102	106	32	-	-	5
BWBF120x60G1/4-AG		60	65	6	G1/4M	24	123	128	-	8	17	6
BWBF120x60G1/4-IG		60	65	8	G1/4F	32	123	128	-	8	17	6
BWBF120x60G3/8-IG		60	65	8	G3/8F	33	123	128	-	9	22	6
BWBF120x60M10x1.5-AG		60	65	4	M10x1.5M	24	123	128	-	10	16	6
BWBF120x60M14x1.5-AG		60	65	6	M14x1.5M	26	123	128	-	10	22	6
BWBF120x60RA		60	65	6	-	27	123	128	32	-	-	6